



**Kerio Control
NG100W, NG300W**

Kerio Control NG100W, NG300W

1 Purpose

This document is a quick guide for safely installing and implementing Kerio Control NG100W and NG300W UTM appliances.

2 General Safety Instructions

During installation follow these security instructions:

- The appliance should be placed on a flat surface or securely mounted horizontally in rack enclosure.
- Do not attempt to open or disassemble the appliance for any reason.
- Strictly follow the installation instructions (see section 4).
- Do not place the appliance near a heat source.
- Place the appliance in a ventilated space, making sure that the appliance fans and vents are unobstructed at all times.
- Do not expose the appliance to liquids of any kind. In the event of liquid intrusion, unplug the appliance immediately.
- Verify that the voltage and frequency of the power socket matches the values printed on the power adapter before plugging in the appliance. Use only the power adapter supplied with the appliance.
- Do not place any items on top of the power cable; keep the power cable away from walkways or other areas where it could pose a tripping hazard.

3 Appliance Description

Kerio Control hardware appliance types:

- Kerio Control NG100W — Desktop appliance — see figure 1.
- Kerio Control NG300W — Sub-1U table mountable appliance — see figure 2.

| Feature | Description |
|------------------------|--|
| Serial port | Used for connecting to a console with a serial cable |
| USB ports | Input for USB devices |
| Ethernet network ports | Used for connecting to the Internet and the LAN with an Ethernet cable |
| Antenna(s) | Dual band antenna used for Wi-Fi |

Table 1 Kerio Control Hardware Appliance Features

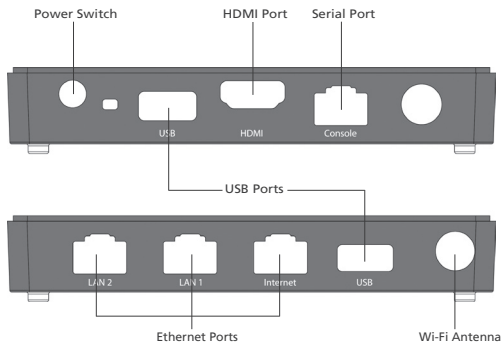


Figure 1 Kerio Control NG100W (front + back)

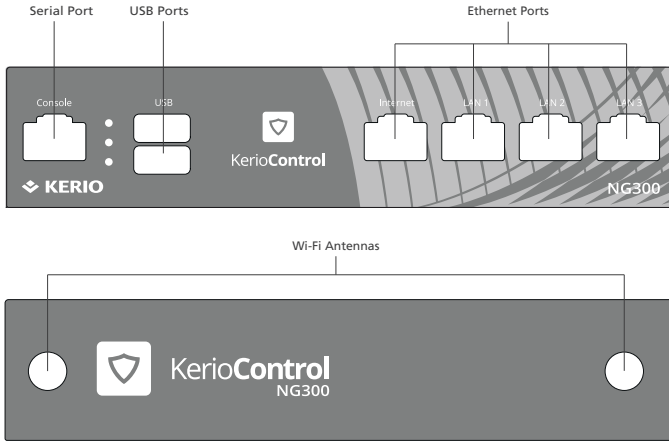


Figure 2 Kerio Control NG300W (front + back)

4 Kerio Control Hardware Appliance Installation and Configuration

Once a suitable place has been located for the appliance and it has been plugged into a power outlet according to the safety instructions, it is time to connect it to the network and configure settings.

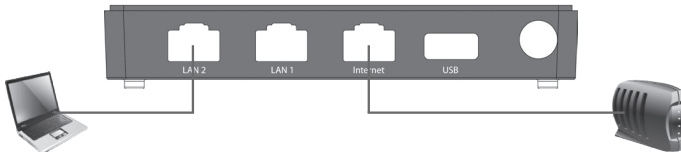


Figure 4 Connecting Kerio Control NG100W to the network

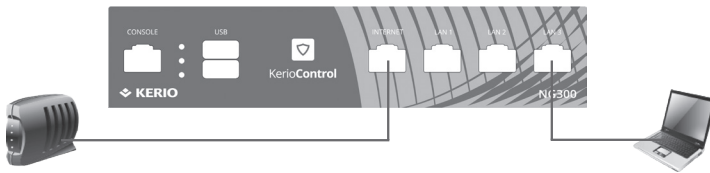


Figure 5 Connecting Kerio Control NG300W to the network

To configure the appliance:

1. Connect the antenna(s) to the hardware appliance.
2. Connect the Internet port to the Internet (e.g. DSL or Cable modem) using an Ethernet cable.
3. Connect the LAN port to the computer that will be used to configure the appliance (see the figures below).
4. Turn on the appliance.

Now you have two options:

- Add and manage the appliance through MyKerio (see <http://kb.kerio.com/1846>)
- Access the Kerio Control Administration through a browser (see below):
 1. Set the networking preferences for Ethernet on the connected computer to "Automatic DHCP configuration". (You can change it later after the configuration is complete).
 2. Renew the DHCP lease on the computer and confirm it has an IP address of 10.10.10.11
 3. Open a web browser and connect to the Kerio Control Administration web interface using the following URL:
<https://10.10.10.1/admin>
 4. Ignore the SSL certificate warnings and proceed to the configuration wizard.
 5. Follow the instructions provided by the wizard and configure the appliance.
See <http://kb.kerio.com>

Note: For troubleshooting purposes, you can use the serial port to connect the console to the appliance. See <http://kb.kerio.com/1875> for details.

5 Additional Information

For further assistance with configuration please refer to additional documentation at:

- <http://kb.kerio.com/category/kerio-control/>

For online and community based support resources please visit :

- <http://www.kerio.com/support>